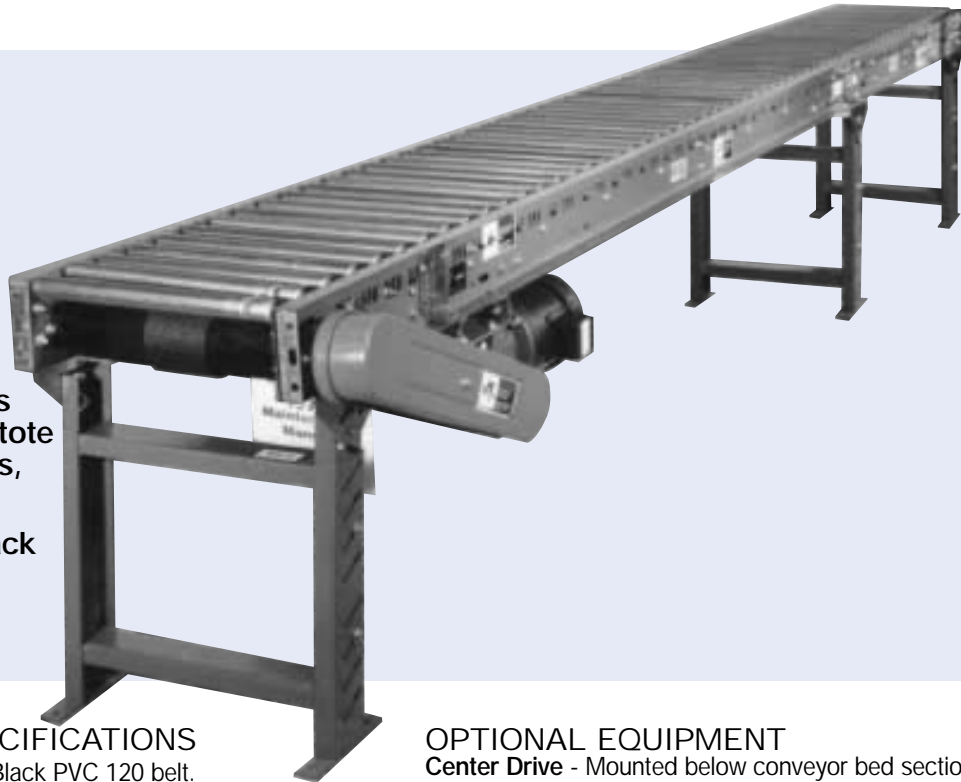


MODEL "138CAP"

Light Duty Accumulating Conveyor



- Accumulates light boxes, tote bins, baskets, etc.
- Minimum back pressure
- Economical

STANDARD SPECIFICATIONS

Driving Belt - 4" wide Black PVC 120 belt.

Bed - Roller bed width between frames, 10", 13", 16" and 22". 5 1/2" x 1 1/2" x 12 gauge painted formed steel channel frame, bolted together with butt couplings and floor supports.

Tread Rollers - 1 3/8" diameter x 18 gauge galvanized tread rollers with 5/16" hex shafts on 1 1/2" and 3" centers. Safety pop-out design prevents damage to product or harm to personnel if caught between belt and tread rollers.

Pressure Rollers - 1 3/8" diameter x 18 gauge galvanized pressure rollers with 5/16" hex shafts on 6" centers.

X-Bracing - Frame Squaring device supplied on conveyors 40 feet and longer on every other bed section. X-bracing insures good product and belt tracking.

Tail Pulley - 4" diameter crowned with 1 3/16" shaft.

Drive Pulley - 4" diameter crowned and fully lagged, with 1 3/16" diameter shaft. Located at infeed end of conveyor.

Snub Roller - 2" diameter adjustable, located directly behind drive and tail pulley.

Return Idler - 1.9" diameter, adjustable, on 10'0" centers.

Floor Supports - 30" to 44" adjustable from floor to top of rollers. One support supplied at each end of conveyor and at each bed joint.

Take-Up - Located at discharge end of conveyor, provides 12" of belt take-up.

Bearings - Sealed, prelubricated with cast iron housings.

Speed Reducer - Heavy duty worm gear reducer.

Motor - 1/2 HP 230/460-3-60 TE motor.

Belt Speed - 60 FPM constant.

Capacity - 100 pounds per foot. Not to exceed Load Capacity Chart.

OPTIONAL EQUIPMENT

Center Drive - Mounted below conveyor bed section. Can be placed most anywhere in conveyor length.

Side Mounted Drive - End drive mounted to side of conveyor section. Specify side. Minimum elevation - 8".

Guard Rails - Adjustable channel, continuous channel, or solid steel guard rails available.

Floor Supports - Lower or higher supports available.

Ceiling Hangers - 1/2" diameter threaded rods 8 feet long with locking nuts and mounting hardware. Other lengths are available.

Motor - Single phase, energy efficient, explosion proof, etc. Other HP available.

Belt Speed - Constant and variable belt speeds available.

Electrical Controls - Magnetic starters and push button stations; Manual motor starters with overload protection, others.

MODEL "138CAP"

Bed Length	Overall Length	Belt Width		4"			
		Width Between Frames		10"	13"	16"	22"
		Overall Width		13"	16"	19"	25"
Rollers Spaced on 3" Centers							
7'	10'	Weight (lbs.)	400	425	445	480	
12'	15'		535	555	580	610	
17'	20'		545	650	670	710	
22'	25'		750	770	790	830	
27'	30'		840	870	885	925	
32'	35'		950	970	990	1040	
37'	40'		1055	1085	1100	1150	
42'	45'		1160	1180	1205	1250	
47'	50'		1265	1290	1310	1350	
52'	55'		1370	1390	1415	1455	
57'	60'		1480	1500	1520	1550	
62'	65'		1580	1605	1625	1670	
67'	70'		1690	1710	1730	1775	
72'	75'		1800	1820	1835	1880	
77'	80'		1910	1925	1945	1990	
82'	85'		2010	2120	2130	2160	
87'	90'		2170	2180	2190	2200	
92'	95'		2210	2230	2250	2295	
97'	100'		2320	2350	2380	2400	

For Weights on other than 3" centers adjust as follows:

Roller Centers	10" BF		13" BF		16" BF		22" BF	
	5'	10'	5'	10'	5'	10'	5'	10'
1 1/2"	+30	+60	+45	+90	+45	+90	+52	+104

Driving force is adjustable through the use of a 9 position cam which raises and lowers each individual pressure roller. Each position of the cam is numbered so that once the desired driving force has been determined, all of the other cams can be easily set to the same driving position.

For minimum pressure accumulation, the driving force is set to convey the heaviest product. Product will then accumulate with approximately 2% back pressure depending on the footprint of the product.

Load Capacity Chart

60 FPM	
HP	TOTAL LOAD
1/2	1300 lbs.
3/4	2000 lbs.

NOTE: 3/4 H.P. Maximum. Above 3/4 H.P. use Model "190CAP"

